

GOLD LINE[®] PARKING

Autocashier



The Gold Line[®] Parking Autocashier is your 24/7 Automatic Parking Attendant.

The Hamilton Gold Line[®] Parking Autocashier is a cost effective solution to your parking needs. This in-lane paystation will independently collect fees, return change and operate an entrance or exit gate 24 hours a day, seven days a week, eliminating the need for an attendant. Among its many new developments, the GL-ACW-P can now be programmed with up to 9 different parking rates for automatic changes on a daily, weekly or special event basis. This increase in flexibility gives you the opportunity to adjust fees more frequently. A receipt printer option is available for customers who need a record of their parking transaction. They can choose to collect a receipt with their cash or credit card transactions.

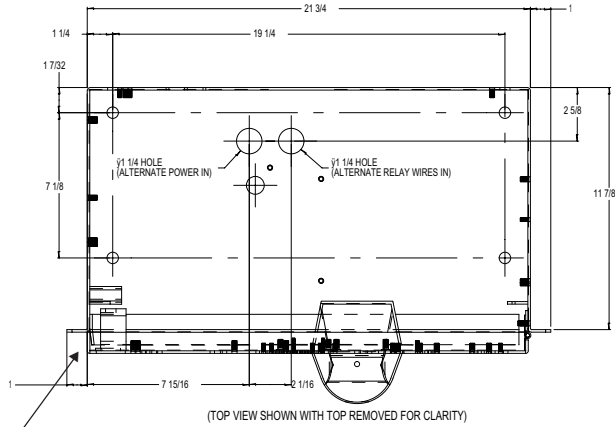
The Hamilton Gold Line[®] paystation is an ideal parking solution for hospitals, universities, municipalities, airports and private lots, in both parking garage and surface lot applications.

The Gold Line[®] ACW-P is the worry-free choice for reducing payroll costs without compromising reliability.

Shown with optional stainless steel mounting base and lighted hood.

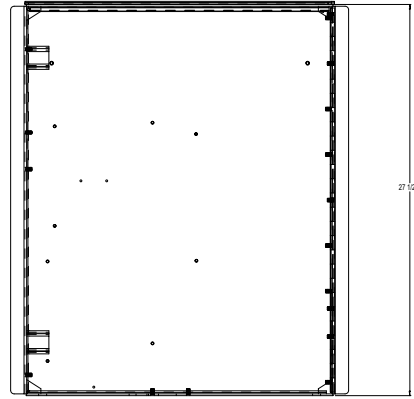
Hamilton Manufacturing Corporation

Cabinet



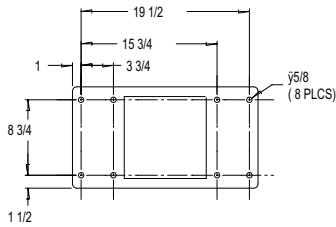
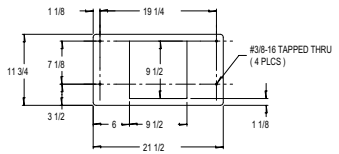
* Flange extends 1" from edge of cabinet.

NOTE: Specifications on drawing subject to change.

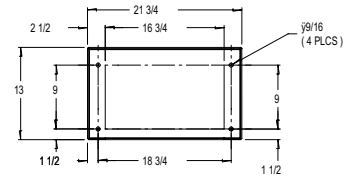
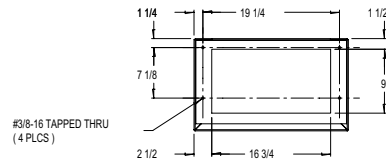


(FRONT VIEW SHOWN WITH DOOR REMOVED FOR CLARITY)

Pedestal Base



Stainless Steel Base



FEATURES

- XE Validator with \$1, \$5, \$10, \$20 bill and Tokenote® acceptance
- Instructional LED display
- Programmable clock/calendar
- Two coin acceptors
- Stainless steel hopper with \$800 quarter capacity
- Durable stainless steel cabinet construction
- Two heavy duty Medeco® plug locks
- Voice prompts walk customers through the transaction process

OPTIONS*

- Hamilton STA Validator with Tokenote® Acceptance
- CashCode® Validator for U.S. or foreign currency
- Credit card acceptance
- Receipt printer
- Lighted hood
- Interactive scrolling display
- Stainless steel mounting base (20" or 26")
- Pedestal base (20" or 26")
- Hand-held thermal printer
- Custom Voice prompts

SPECIFICATIONS

Cabinet	10 gauge stainless steel
Weight	approx. 200 lbs
Power	110 VAC 60 Hz
Door Voltage	24 VAC, DC

CABINET DIMENSIONS

27 1/2" H x 21 3/4" W x 11 7/8" D

* Additional validator options may be available, Contact Hamilton for more details.

Subject to change without notice.

For more information contact your local Hamilton Distributor.

Hamilton Manufacturing Corporation